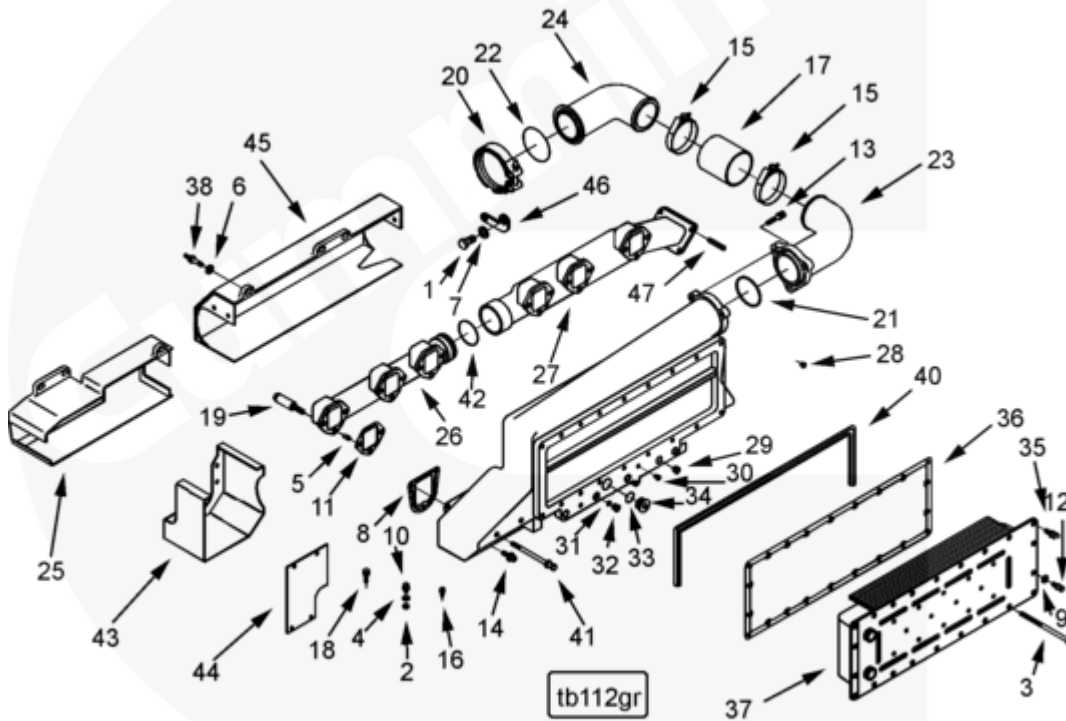




Parts Catalog - Option Detail

Electronic Parts Catalog - Option Detail				
Option	Group	Graphic	Film Card	Date
TB1399-03	10.06.1	tb112gr	FF	29-FEB-00
Engines	G855, G855 CM558, GTA855 CM558 (CM2358) G101, N14 CELECT, N14 CELECT PLUS, N14 MECHANICAL, NH/NT 855, QSM11 CM876 M101, QSM11 CM876 M102M, QSN14 CM876 N103, QSN14 CM876 N105, QSNT14 CM876 N102			

©Cummins Inc



[SMALL](#) | [MEDIUM](#) | [LARGE](#)

Cart	Ref No	Part Number	Part Description	Required	Remarks
View My Cart					
		TB1399-03	Turbocharger Arrangement		N14 marine intake manifold...(More)
					and aftercooler core.
					Cladded N14 marine exhaust

					two piece manifold with rear
					mounted turbocharger exhaust
					side out turbocharger for
					rear jacket water after
					cooler plumbing.
<input type="checkbox"/>	1	S 186 A	Hexagon Head Cap Screw	1	5/8 - 18 x 1 1/4 inch
<input type="checkbox"/>	2	S 221	Heavy Hexagon Nut	5	5/16 - 18 UNC
<input type="checkbox"/>	3	69102	Hexagon Head Cap Screw	4	3/8 - 16 X 7 Inch.
<input type="checkbox"/>	4	70233	Plain Washer	2	1/4 Inch.
<input type="checkbox"/>	5	105199	Groove Pin	6	
<input type="checkbox"/>	6	108330	Plain Washer	3	3/8 in.
<input type="checkbox"/>	7	127316	Plain Washer	1	5/8 in.
<input type="checkbox"/>	8	3008591	Intake Manifold Gasket	3	
<input type="checkbox"/>	9	3011715	Captive Washer Cap Screw	4	3/8 - 16 X 1 3/16 in.
<input type="checkbox"/>	10	3015283	Captive Washer Cap Screw	2	5/16 - 18 x 3/4 in.
<input type="checkbox"/>	11	3020943	Exhaust Manifold Gasket	6	
<input type="checkbox"/>	12	3036460	Spring Washer	4	
<input type="checkbox"/>	13	3044413	Captive Washer Cap Screw	3	3/8 - 16 x 2 in.
<input type="checkbox"/>	14	3051427	Captive Washer Cap Screw	3	3/8 - 16 X 1 5/16 in.
<input type="checkbox"/>	15	3063809	T-Bolt Clamp	2	3 3/4 in.
<input type="checkbox"/>	16	3066310	Captive Washer Cap Screw	4	1/4 - 20 X 3/4 Inch.
<input type="checkbox"/>	17	3067370	Plain Hose	1	
<input type="checkbox"/>	18	3067581	Captive Washer Cap Screw	2	5/16 - 18 X 1 1/4 Inch.
<input type="checkbox"/>	19	3067930	Screw And Spacer	12	Replace with (1) each of
					3043647 screw and 3064347
					spacer.
<input type="checkbox"/>	20	3067979	V Band Clamp	1	
<input type="checkbox"/>	21	3084848	O-Ring Seal	1	
<input type="checkbox"/>	22	3095826	O-Ring Seal	1	
<input type="checkbox"/>	23	3349039	Air Crossover Tube	1	

<input type="checkbox"/>	24	3349224	Air Crossover Tube	1	
<input type="checkbox"/>	25	3349374	Exhaust Manifold Cover	1	
<input type="checkbox"/>	26	3349378	Exhaust Manifold	1	
<input type="checkbox"/>	27	3349379	Exhaust Manifold	1	
<input type="checkbox"/>		3349473	Aftercooler	1	
<input type="checkbox"/>	28	3008466	Pipe Plug	1	1/4 NPT.
<input type="checkbox"/>	29	3008468	Pipe Plug	2	1/2 NPT.
<input type="checkbox"/>	30	3025458	Pipe Plug	2	1/8 NPT.
<input type="checkbox"/>		3037536	Threaded Plug	3	9/16 - 18 UNF
<input type="checkbox"/>	31	3037537	O-Ring Seal	1	
	32	3040813	Threaded Plug	1	9/16 - 18 UNF
<input type="checkbox"/>		3040818	Threaded Plug	1	1 3/16 - 12 UN
<input type="checkbox"/>	33	3035228	O-Ring Seal	1	
	34	3040819	Threaded Plug	1	
<input type="checkbox"/>	35	3040838	Captive Washer Cap Screw	13	3/8 - 16 x 1 1/4 in.
<input type="checkbox"/>	36	3084382	Aftercooler Cover Gasket	1	
<input type="checkbox"/>	37	3095644	Aftercooler Core	1	
<input type="checkbox"/>	38	3096791	Studded Hexagon Cap Screw	3	
<input type="checkbox"/>	39	3349038	Air Intake Manifold	1	
<input type="checkbox"/>	40	3627381	Rectangular Strip Seal	1	
<input type="checkbox"/>	41	3865178	Captive Washer Cap Screw	2	
<input type="checkbox"/>	42	4020069	Exhaust Manifold Seal	2	
<input type="checkbox"/>	43	4058100	Heat Shield	1	
<input type="checkbox"/>	44	4058103	Cover Plate	1	
<input type="checkbox"/>	45	4058104	Exhaust Manifold Cover	1	
<input type="checkbox"/>	46	4058105	Heat Shield Bracket	1	
<input type="checkbox"/>	47	4058111	Double End Plain Stud	4	